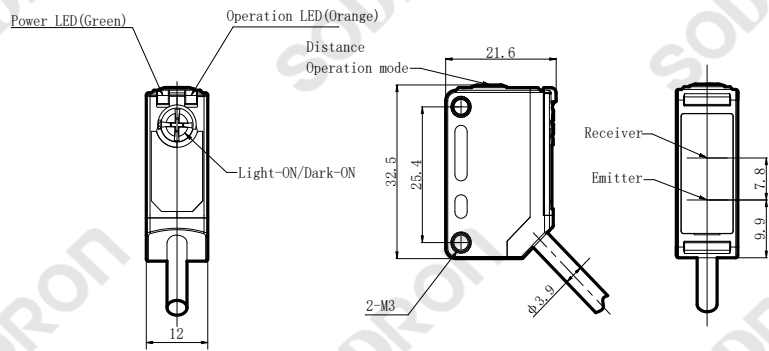




### Dimensions



Model	Technical parameters	
	Detection method	Adjustable Distance Reflective Type
PF31V-B20BNSS-E PF31V-B20BPSS-E	Model	NPN PF31V-B20BNSS-E PNP PF31V-B20BPSS-E
	Sensing distance	15 ~ 200mm
<b>Product features</b>	Standard target	White paper 100*100mm
	Reflectivity characteristic	10% of set distance max
<ul style="list-style-type: none"> <li>With background suppression function</li> <li>Red light, Point light source</li> </ul>	Output mode	Light ON/Dark ON adjustable
	Light source	Red LED 620nm
<b>Connection</b>	Supply power	DC 12 ~ 24V ±10% impulse(P-P) < 10%(DC10-30V)
	Residual voltage	2V max(Load current ≤ 100mA)
NPN	Current consumption	< 25mA
	Load current	≤ 100mA
	Circuit protection	Reverse connection protection, Short circuit protection
	Response time	< 1ms
PNP	Distance setting	5-turned endless adjuster
	Indicator light	Output: Orange LED Stable: Green LED
	Connection	Cable 2m
	Ambient temperature	Work: -25 ~ +55°C; Store: -30 ~ +70°C, (No dew condensation or icing allowed)
	Ambient humidity	Work: 35 ~ 85%RH, Store: 35 ~ 95%RH, (No dew condensation)
	Ambient illumination	Sunlight: 10,000Lx; Lamplight: 3,000Lx
	Withstand voltage	AC 1000V, 50/60Hz, 1min, between current-carrying parts and case
	Insulation resistance	> 20MΩ (DC500V megger) between current-carrying parts and case
	Anti-vibration	10~55Hz double-amplitude 1.5mm X, Y, Z 2h
	Impact resistance	500m/s² X, Y, Z, directions for 3 times
	Protection degree	IEC IP65
Material	Housing	PBT
	Lens	PMMA

### Product Spot Dimension Drawing

